



# Nova Track Light Type D



**68NV-COB-TLDxx10W**

Nova Track Light D 10W

We are proud to introduce our new series of Nova Track Lights. The Nova Track are taking advantage of the “chip on board” COB technology, which has taken the LED development to a new turn. They are becoming more and more look and feel like the old fashion light bulbs. COB will allow the fixtures to use reflectors and lenses to make wonderful delivery of single shadow light beam. Remember how its feel when you see multiple shadows from a LED spot lights. You will not see that in the COB technology. The new series of Nova Tracks will bring you easy to install and easy to retrofit any existing track lights you already have. without re doing any electrical wirino.



## Product Technical Data

### General Informaion

Adaptor	Track Light
Life Span	50000hr

### Product Dimensions

Height	165mm
Width	86mm
Circular diameter	54mm

### Light Characteristics

Efficacy	100 lm/w
Beam Angle	15,25,35 Degree
CCT	3000K,4000K,6400K
Flux	765-1050 lm
	80
Color Rending Index	

### Ordering Information

Product Name	Nova Track Light D 10W	
Product Ordering #	3000K	68NV-COB-TLD3010U
	4000K	68NV-COB-TLD4010U
	6400K	68NV-COB-TLD6410U

### Electrical Characteristics

Wattage	6W
Voltage	85-265VAC
Power Factor	0.937

Pieces Per Pack	1
Packs Per Carton	50
Net Weight Per Piece	300 Grams

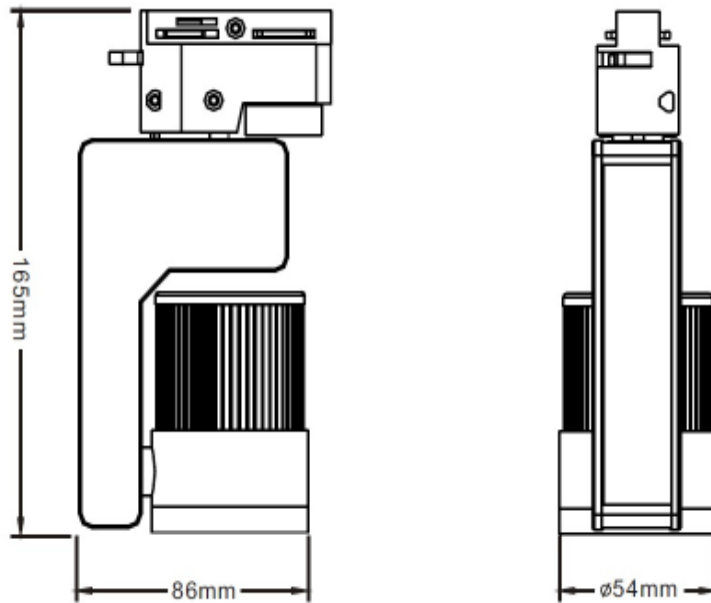
### Temperature

Operating Temp.	-30(min), 65(max)C
Storage	-40(min), 65(max)C

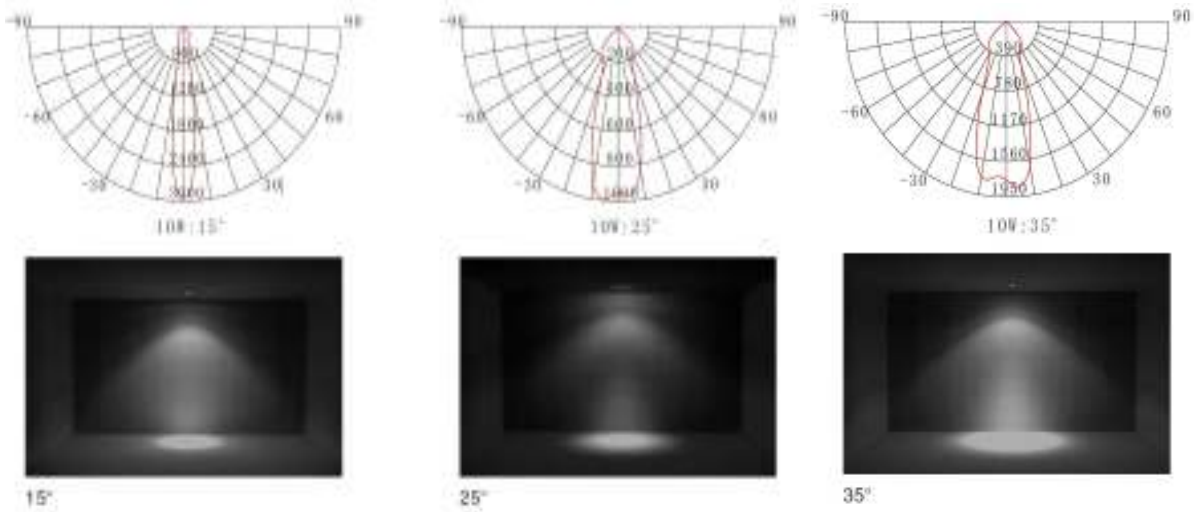
[www.u-tron.com](http://www.u-tron.com)



Technical Drawing



Technical Data



©2012 U-Tron

All rights reserved

Specifications are subject to change without notice

27-Sep-13

